

Technical data sheet

Product features



Cooking range gas on open cabinet

Model	SAP Code	00008527
--------------	-----------------	----------



- Device type: Gas unit
- Power consumption of the zone 1 [kW]: 8,5
- Power consumption of the zone 2 [kW]: 4
- Ignition: Eternal flame
- Material: AISI 304 top plate and cladding

SAP Code	00008527	Power gas [kW]	12.500
Net Width [mm]	400	Type of gas	Natural gas, propane butane
Net Depth [mm]	730	Number of zones	2
Net Height [mm]	900	Power consumption of the zone 1 [kW]	8,5
Net Weight [kg]	38.00	Power consumption of the zone 2 [kW]	4

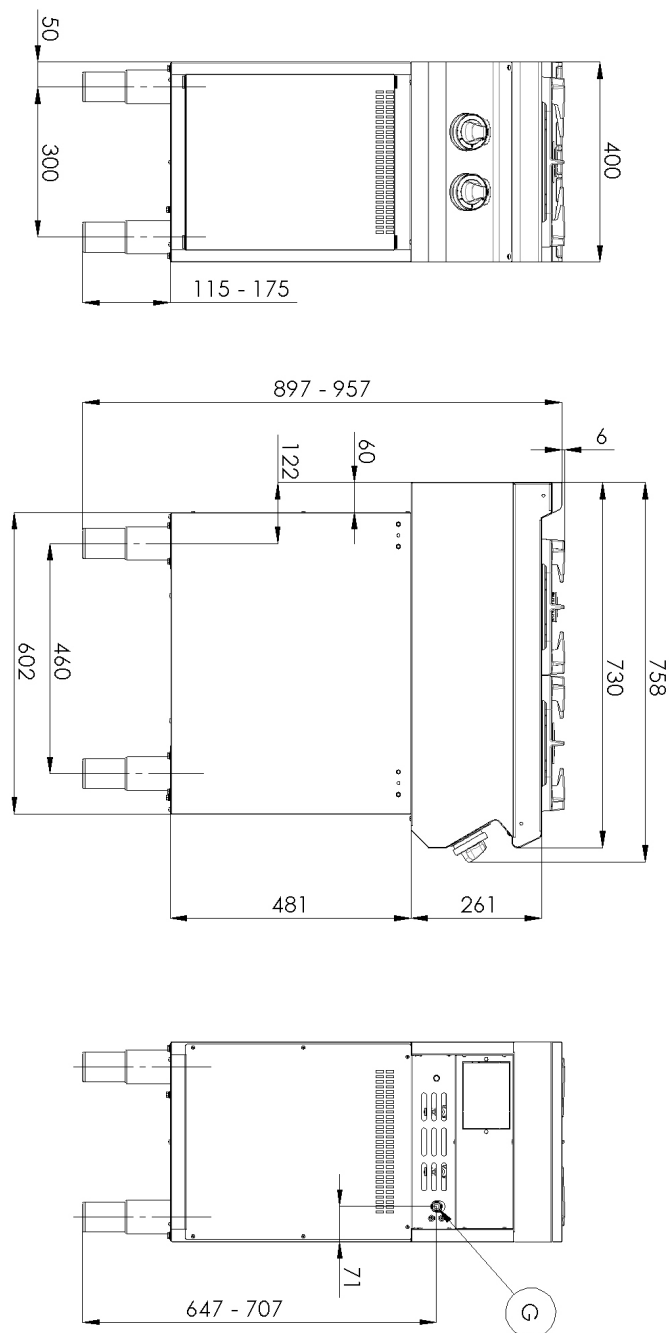
Technical data sheet

Technical drawing



Cooking range gas on open cabinet

Model	SAP Code	00008527
--------------	-----------------	----------



Technical data sheet

Technical parameters



Cooking range gas on open cabinet

Model

SAP Code

00008527

1. SAP Code:

00008527

2. Net Width [mm]:

400

3. Net Depth [mm]:

730

4. Net Height [mm]:

900

5. Net Weight [kg]:

38.00

6. Gross Width [mm]:

440

7. Gross depth [mm]:

800

8. Gross Height [mm]:

1080

9. Gross Weight [kg]:

44.50

10. Device type:

Gas unit

11. Construction type of device:

With substructure

12. Power gas [kW]:

12.500

13. Ignition:

Eternal flame

14. Type of gas:

Natural gas, propane butane

15. Device color:

Stainless steel

16. Material:

AISI 304 top plate and cladding

17. Worktop type:

Molded - comfortable cleaning maintenance

18. Worktop material:

AISI 304

19. Worktop Thickness [mm]:

1.50

20. Number of zones:

2

21. Power consumption of the zone 1 [kW]:

8,5

22. Power consumption of the zone 2 [kW]:

4

23. Grid material:

Cast iron

24. Service accessibility:

Trough the frontal panel

25. Safety thermocouple:

Yes

26. Adjustable feet:

Yes

27. Number of burners/hot plates:

2

28. Type of gas cooking zones:

Powerfull

Technical data sheet

Technical parameters



Cooking range gas on open cabinet

Model	SAP Code	00008527
--------------	-----------------	----------

29. Burner type:

Brass, detachable